



# Countertop Reverse Osmosis System

## RO4000 4 Stage Water Filter System with Alkaliser

**Convenient Portable Design**  
Ideal for renters

**Superior Protection**  
Efficient 4 stage filtration

**5 Year Warranty\***  
Hand built & factory tested in Australia

The RO4000 removes contaminants that are of concern to the consumer - such as chlorine, pesticides and heavy metals. The new fourth stage inline Alkaliser Filter provides enhanced water that is both energised and mineralised. This healthy inclusion to the RO4000 re-introduces minerals such as sodium, magnesium, calcium and potassium, raises the pH level (between 8 - 10pH) and lowers ORP (Oxygen Reduction Potential).



- Of all methods that purify drinking water for domestic use, the process of reverse osmosis is the most advanced, economical and effective.
- Most impurities are flushed down the drain rather than collected in the filters.
- Ideal for those looking to reduce acidic toxic waste in the blood, tissues and fluids of the body and thus adhere to a more alkaline state required by most human metabolic processes.

### Specifications

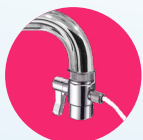
|                     |                          |
|---------------------|--------------------------|
| <b>Item Code</b>    | <b>IT004000</b>          |
| Output @60 Psi 25°C | approx. 380 litres p/day |
| Dimensions (cm)     | 34(W) x 17(H) x 16(D)    |
| Micron Rating       | 0.0005 micron            |
| Warranty            | 5 years*                 |

### Among the many contaminants removed:

|                 |               |
|-----------------|---------------|
| Aluminium       | Iron          |
| Barium          | Lead          |
| Cadmium         | Manganese     |
| Chlorine        | Mercury       |
| Chromium        | Nitrate       |
| Copper          | PCB's         |
| Cryptosporidium | Potassium     |
| e-Coli          | Radium        |
| Fluoride        | Selenium      |
| Giardia         | Sodium        |
| Hydrocarbons    | Taste & Odour |



**Quick Change cartridges**  
Ensures a simple, hygienic, no mess means of system maintenance.



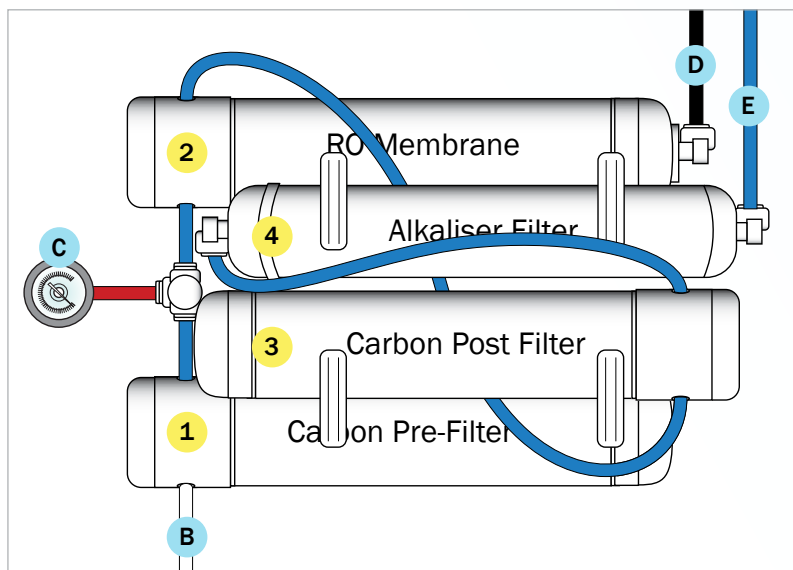
**No mains plumbing required**  
Simply attaches to your existing kitchen faucet/aerator using the included fittings.

For more information go to [www.watershop.com.au](http://www.watershop.com.au)

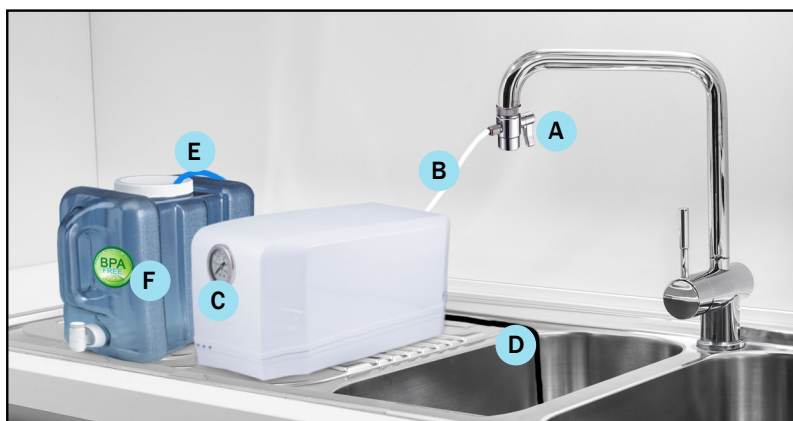
\*Warranty Terms & Conditions apply.

# RO4000 Countertop Reverse Osmosis System

## Filtration Process Diagram 1



## Countertop Setup Diagram 2



## Installation Instructions

This system is for use on a microbiologically safe, cold water line only.

1. Find a convenient countertop location to place the filter system in reach of your faucet.
2. Unscrew the existing aerator from your faucet.
3. Referring to Diagram 3 - an external thread indicates a male fitting, while an interior thread indicates a female fitting. With a male fitting, simply screw on the Diverter. With a female fitting, first screw on the Standard Adaptor provided, then screw on the Diverter.
4. Flush the system for a few minutes before use, this will remove their non-toxic carbon fines and oxygen (air bubbles) from the new cartridges.

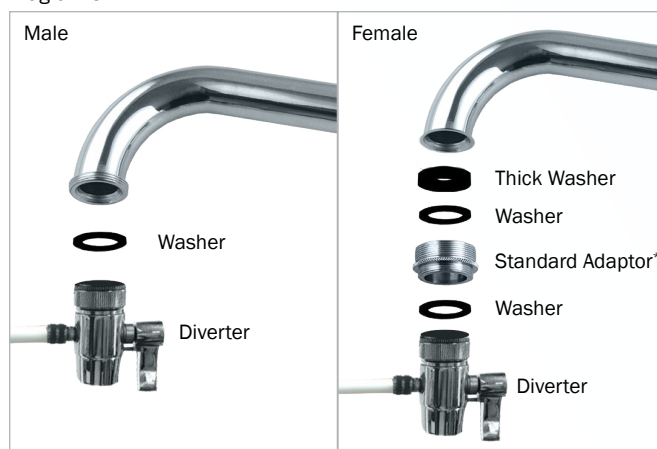


A Maintenance Guide is available for the RO4000  
Visit [www.watershop.com.au/RO4000](http://www.watershop.com.au/RO4000)

## Labelled Components

- 1 Carbon Pre-Filter** *Made in USA*  
Removes particulate matter, chlorine and other organic pollutants for membrane protection.
  - 2 Ultrafine TFC RO Membrane** *Made in USA*  
Screens to 0.0005 micron, filtering viruses, bacteria and parasites. Repels heavy metals and removes fluoride and hydrocarbons.
  - 3 Carbon Post-Filter** *Made in USA*  
Polishing filter results in great tasting, pure water.
  - 4 Alkaliser Filter** *Made in USA*  
Alkalisising and mineralising filter - raises pH and lowers ORP (Oxygen Reduction Potential).
- A Diverter**  
Connects the kitchen faucet to the white tube.
  - B 1/4" White Tube** **FOOD GRADE**  
Connects the diverter to the filter system.
  - C Pressure Gauge**  
Indicates incoming water pressure and condition of pre-filter.
  - D 1/4" Black Tube** **FOOD GRADE**  
Feeds waste water to the drain.
  - E 1/4" Blue Tube** **FOOD GRADE**  
Feeds pure water to the storage container.
  - F Storage Container** **BPA FREE**  
*Available as an optional extra.*

Diagram 3



\*We stock a range of adaptors if the standard adaptor does not fit.



North Shore Showroom  
425 Miller Street, Cammeray NSW 2062

Inner West Showroom  
342-350 Parramatta Road, Stanmore NSW 2048

02 9458 1111 [sales@watershop.com.au](mailto:sales@watershop.com.au) [www.watershop.com.au](http://www.watershop.com.au)