

Your choice of faucets  
Premium Designer Tapware

# UltraCeram® Twin Undersink Premium Drinking Water System

## Ceramic Disc



**RETRO**  
H22cm x W17cm  
Item #3161



**MODE**  
H30cm x W21cm  
Item #1162

## Stainless Steel



**CLASSIC**  
High Loop  
H30cm x W18cm  
Item #2350



**CLASSIC**  
Long Reach  
H28cm x W21cm  
Item #2826



**FEDERATION**  
High Loop  
H29cm x W23cm  
Item #2825



**FEDERATION**  
Long Reach  
H25cm x W21cm  
Item #2824




**PETITE**  
H19cm x W14cm  
Item #1177




**ANTIQUE**  
H28cm x W18cm  
Item #1176


## Stainless Steel Mixers



**SS MIXER**  
Standard Spout  
H28cm x W24.5cm  
Item #2170



**SS MIXER**  
High Loop  
H39cm x W28cm  
Item #1166



**PETITE**  
H36cm x W27cm  
Item #2819

## Mixer - Hot, Cold & Filtered



**NOVA**  
H22cm x W24cm  
Item #1980



**3 WAY MIXER**  
H17cm x W28cm  
Item #1165



**FLAT MIXER**  
H23cm x W24cm  
Item #2849



**SIDE LEVER**  
H33cm x W25cm  
Item #1169



**EURO**  
High Loop  
H27cm x W21cm  
Item #1157



**EURO**  
Long Reach  
H22cm x W22cm  
Item #1156



**FIN**  
H25cm x W20cm  
Item #1175



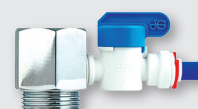
**METRO**  
H25cm x W16cm  
Item #1692

## Plumbing Options

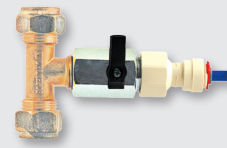
We stock a large supply of brass plumbing parts & John Guest Speedfit® fittings to cater to your plumbing requirements.



1/2" Male/Female Compression Tee\*



3/4" Male Female Dishwasher\*



1/2" Male/Male Tee\*

\*All Fittings include a Pressure Limiting Valve (PLV)

**ULTRACERAM - 0.5 MICRON ABSOLUTE**  
Complete Micro-Biological Protection

**CARBON BLOCK - 1 MICRON**  
Superior Chlorine & Heavy Metal Removal

**5 YEAR WARRANTY\***  
Hand Built in Australia

### The UltraCeram Ceramic Twin Undersink System



**The Australian WaterMark Standard Approval of this system is your guarantee of quality.**

### Specifications

Filter Output	5,000 litres
Max Flow Rate	3 litres p/min
Dimensions (cm)	23(W) x 32(H) x 13(D)
Micron Rating	0.2 Micron nominal
Warranty	5 years*

\*Warranty Terms & Conditions apply.

### Filtration Test Results

IMPURITIES	REDUCTION %
e-Coli	99.99
Residual Chlorine Content	99.0
<b>THM</b>	
Bromodichloromethane	99.3
Bromoform	99.3
Chloroform	99.5
Dibromochloromethane	99.3
<b>METALS</b>	
Zinc	99.7
Iron, Lead, Manganese, Cadium	99.9
Copper, Mercury	99.9
Aluminium	98.7

## How does it work?

The UltraCeram Twin Undersink combines ultra-fine Ceramic technology with a premium one micron Carbon Block filter cartridge manufactured in the USA. This filter cartridge combination guarantees absolute sub-micron filtration and 99.99% removal of contaminants such as e-Coli, chlorine and heavy metals.

Conveniently installed under your sink with your choice of an attractive, designer ceramic disc faucet included at no extra cost.

### Diagram 1 - Overview of Filtration Process

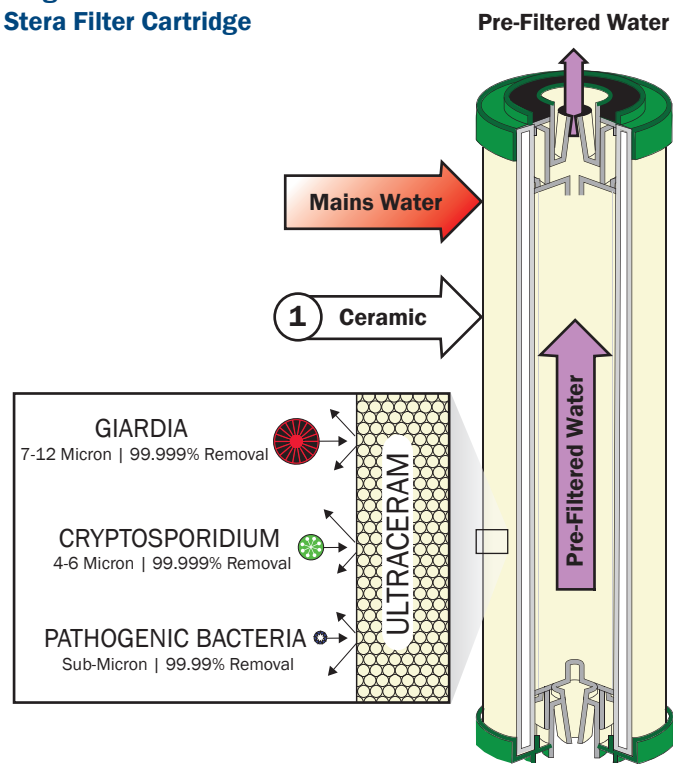




ULTRACERAM

### Stage 1 - UltraCeram® Stera 0.5 Micron Absolute Pre-Filter

Diagram 2 - The UltraCeram® Stera Filter Cartridge



1 Manufactured with UltraCeram® Stera Ceramic which provides genuine sub-micron filtration. This stage reduces fine particulate matter, bacteria, cysts and turbidity. Silver, incorporated within this ceramic structure provides enhanced bacteriostatic and self sterilizing properties.

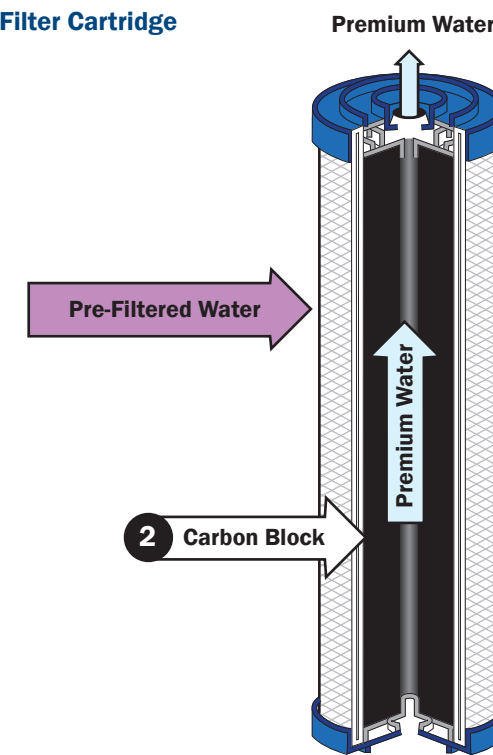
✓ Mechanically filters out harmful bacteria and parasites.

Removes	
Parasites/Cysts	Salmonella
Cryptosporidium	Cholera
Giardia	Sediment
Bacteria	Dirt
e-Coli Bacteria	Rust

✓ Removing the above contaminants protects the Carbon Block Post Filter cartridge, allowing it to function more effectively and last longer.

### Stage 2 - Carbon Block 1 Micron Post-Filter

Diagram 4 - Carbon Block Post Filter Cartridge



2 The 1 micron Carbon Block filter effectively removes chlorine, heavy metals and the unpleasant tastes and odour associated with these contaminants.

Made from premium coconut-shell carbon, fresher, sweeter tasting water is ensured.

Removes	
Chlorine	Lead
Aluminium	Mercury
Cadmium	Zinc
Copper	Odour
Iron	Taste

✓ This combination of ultra-fine Ceramic and quality Carbon Block will provide you and your family with superior quality filtration and much improved taste compared to other standard twin filter systems.

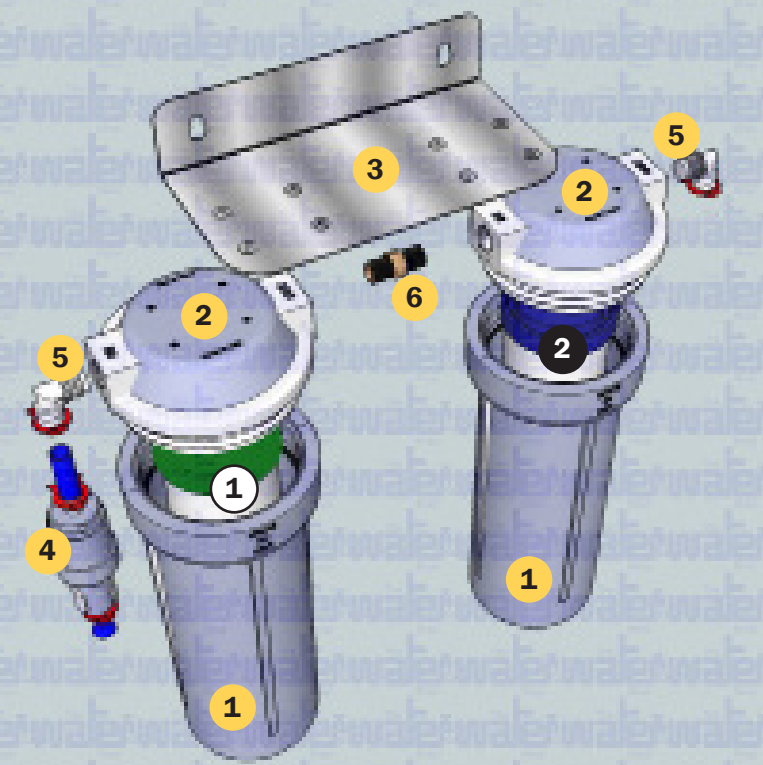
**Scrub Clean Cartridge**

✓ If the flow rate slows, the UltraCeram® Stera filter cartridge can be washed and reused\*.

Simply scrub it clean under cold, running water with a clean Scotch-Brite® pad or kitchen brush.

### Twin Undersink Assembly

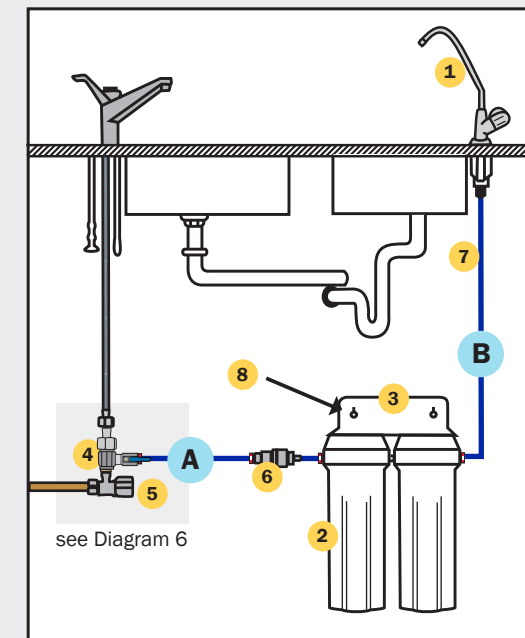
Diagram 3 - Labelled Assembly of Quality Components



Quality Components
1 UltraCeram® Stera Ceramic Pre-Filter
2 Carbon Block Post Filter
1 Housing Sump
2 Housing Cap
3 Stainless Steel Bracket
4 Pressure Limiting Valve (PLV)
5 John Guest Elbow (with Red Clips)
6 Brass Nipple

### Undersink Setup

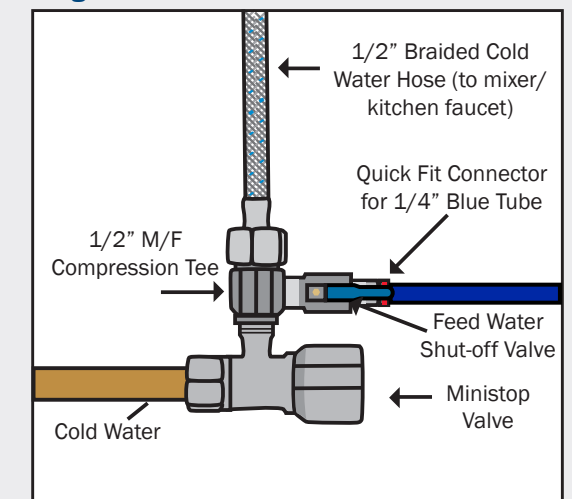
Diagram 5



- A 1/4" blue tube connects the feed water valve to the Pre-Filter.
- B 1/4" blue tube connects the Carbon Block Post Filter to the chrome faucet.

Parts
1 Chrome Faucet
2 Housing
3 Bracket
4 Tee Piece
5 Ministop Valve
6 PLV
7 Blue Tube
8 Screws
Red Clips

Diagram 6



\*We recommend replacing your UltraCeram Stera cartridge every 2-3 years and the Carbon Block cartridge yearly dependent on water quality and usage.